

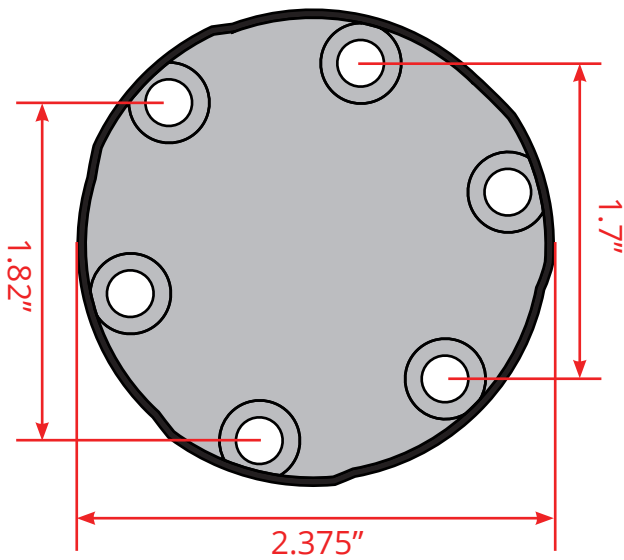


Quality Marine
Equipment Since 1981

MAX PROP
AUTOMATIC FEATHERING PROPELLERS

ZINC IDENTIFICATION SHEET

63-ZIN

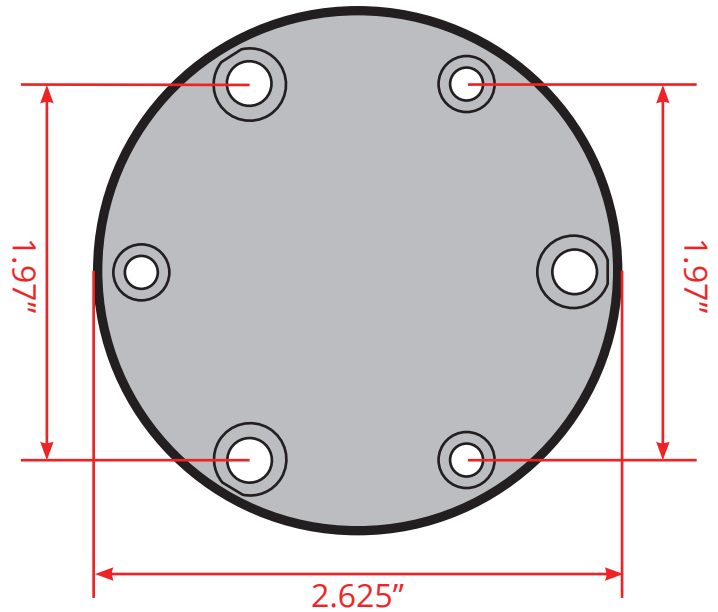


M4 x 0.7 x 20mm



M5 x 0.8 x 20mm

70-ZIN

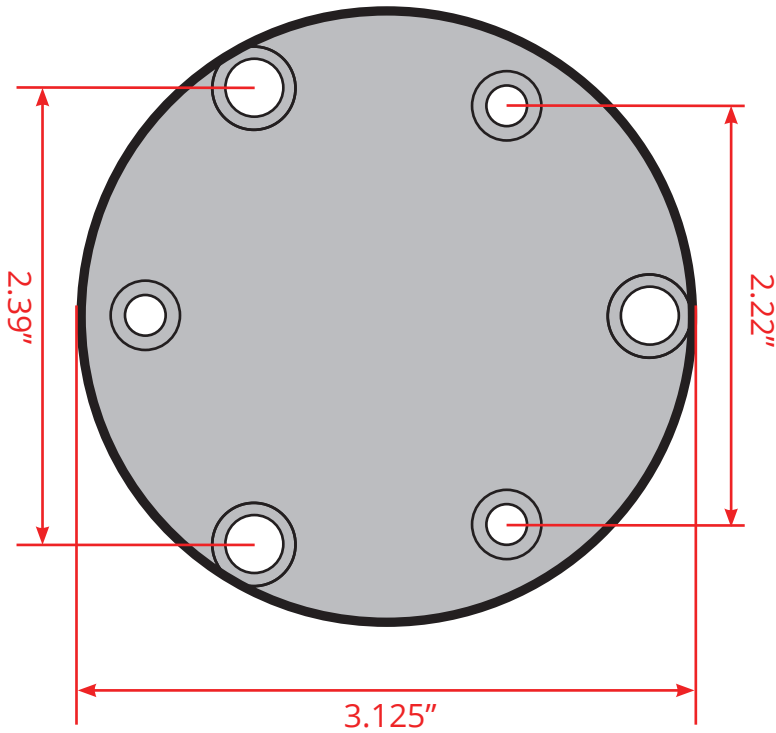


M4 x 0.7 x 20mm



M5 x 0.8 x 20mm

83-ZIN

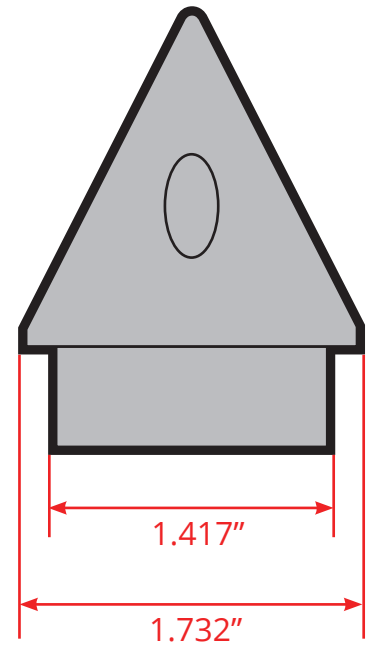


M5 x 0.8 x 30mm



M6 x 1 x 25mm

63-ZIN-2B



M4 x 0.7 x 25mm